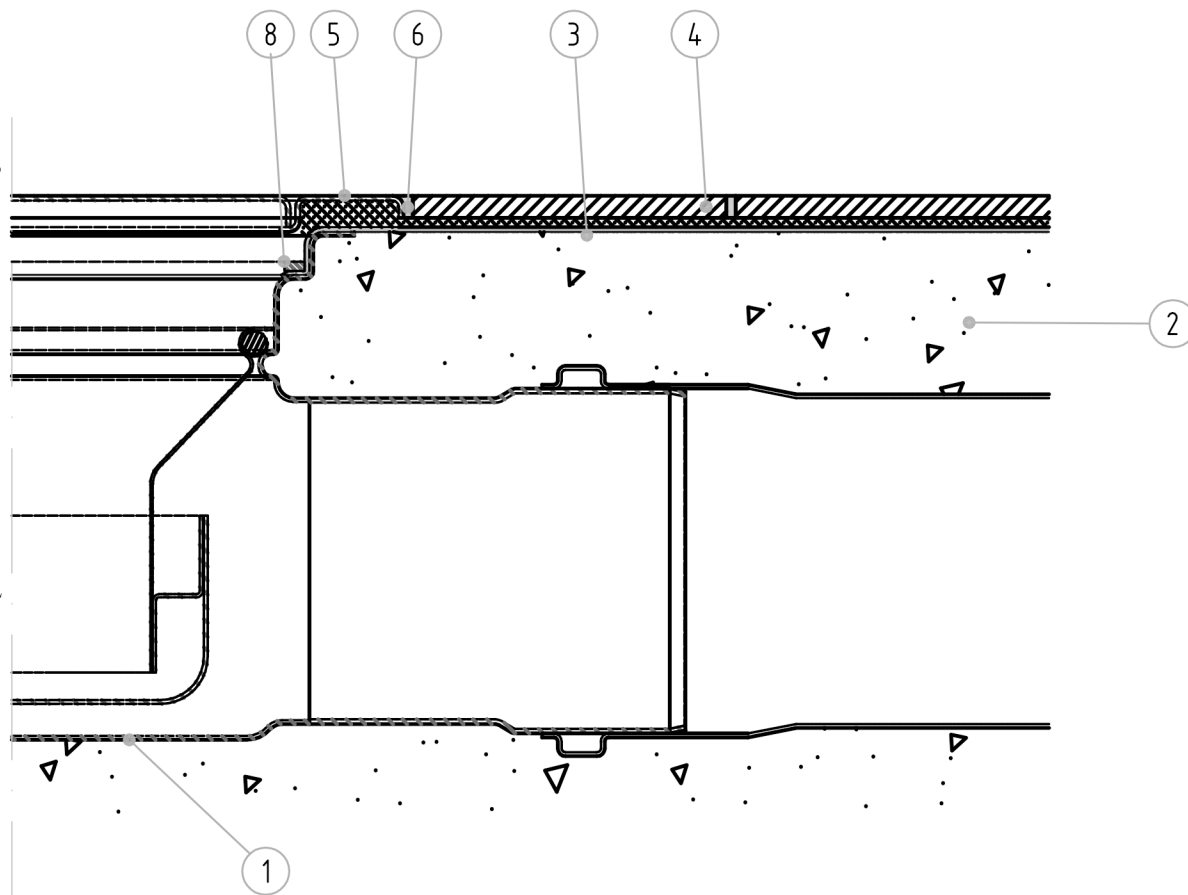


INSTALLATION INSTRUCTIONS FOR TILE FLOORING

CAST THE DRAIN FRAME(1) BY POURING CONCRETE(2) UP TO THE OUTER EDGE OF THE UPPER FLANGE OF THE DRAIN FRAME. MAKE SUFFICIENT SLOPES TOWARD THE DRAIN DURING CASTING. PLACE WATERPROOF SEALANT(3) OVER THE CASTING ACCORDING TO THE MANUFACTURER'S INSTRUCTIONS. THE DRAIN AND CONCRETE JOINT SHOULD BE STRENGTHENED WITH NON-WOVEN FABRIC, ACCORDING TO THE MANUFACTURER'S INSTRUCTIONS. WATERPROOF SEALANT SHOULD BE EXTENDED INTO THE DRAIN SO THAT IT CAN BE SECURED WITH A CLAMPING RING(8), SUPPLIED WITH THE DRAIN. IN CASE THE REINFORCING FABRIC DOES NOT HAVE AN ADHESIVE SURFACE, IT SHOULD BE GLUED TO THE DRAIN BEFORE FITTING THE CLAMPING RING. LAY THE TILE FLOORING(4) ONLY AFTER THE WATERPROOF SEALANT HAS DRIED. PLEASE NOTE THAT THE UPPER EDGE OF THE DRAIN PERIMETER(5) SHOULD BE AT THE SAME LEVEL AS THE FINISHED FLOOR SURFACE. ANY GAPS BETWEEN THE DRAIN PERIMETER AND TILES SHOULD BE SEALANT WITH SILICONE(6), (ELASTIC SEAMING COMPOUND).



Osano	Kpl	Nimitys			Materiaali		Mitat		Huomautus	
Suunnitellut	Piirtänyt	Kopio	Tarkastus	Standardi	Hyväksynyt	Suhde		Korvaa	Korvaa ja	
								Tiedosto	Pvm	11.4.2011
								Piirustus No		

STF Oy
Lammikkotie 2
77600 Suonenjoki
Finland

INSTALLATION INSTRUCTIONS
FOR TILE PERIMETER

Mrk	Kpl	Muutos	Pvm.	Laati	Hyväksynyt
1	2	3	4	5	6